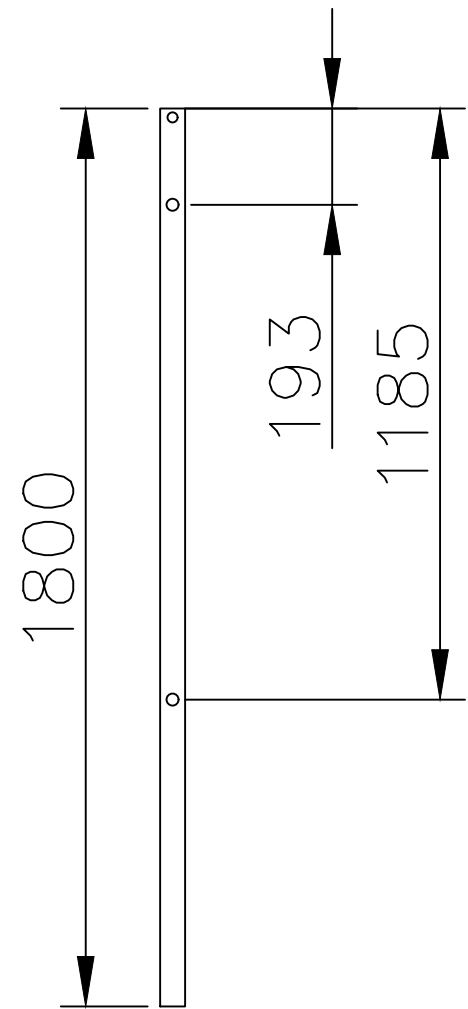
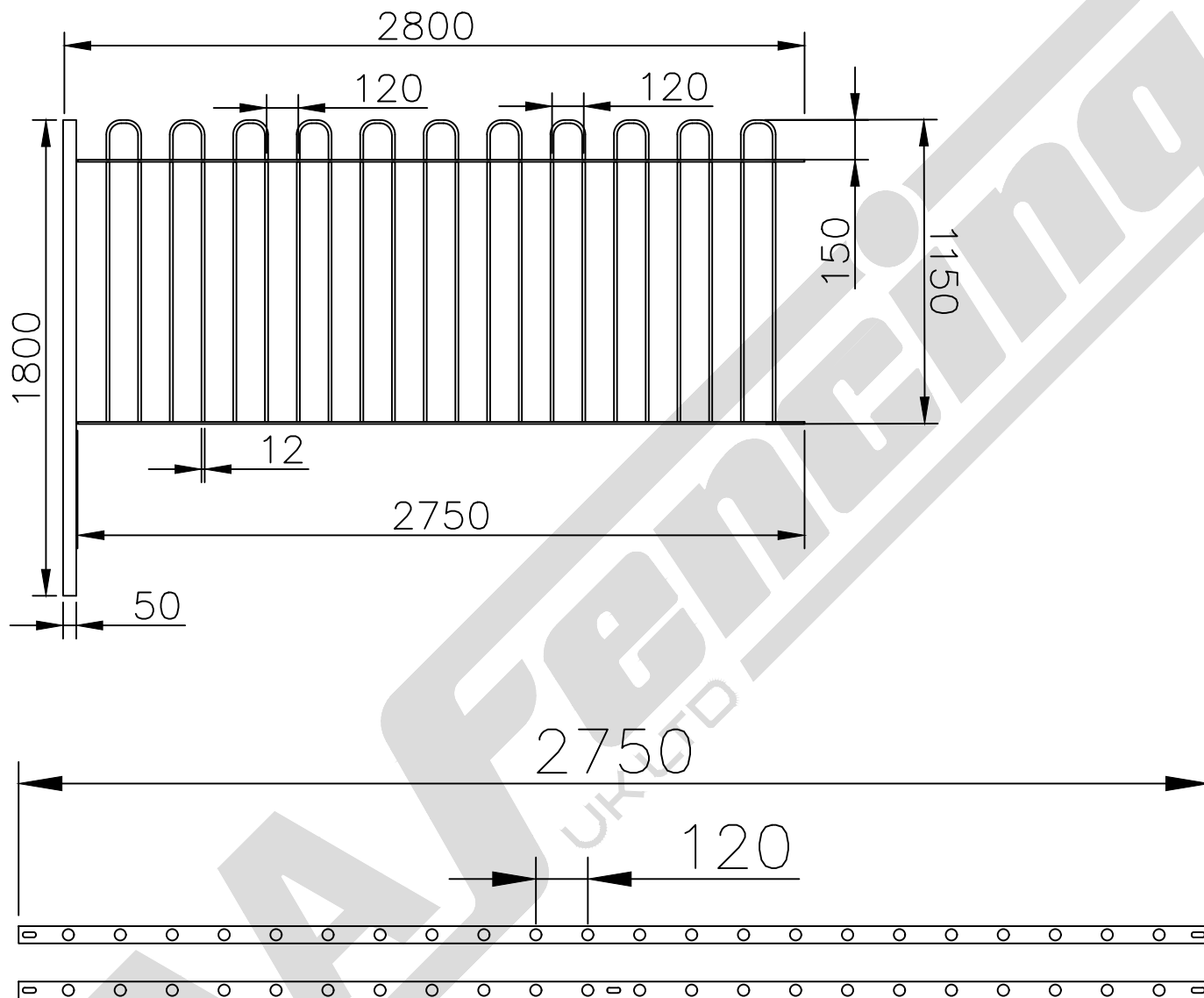


ITEM	PARTS NAME	QUANTITY
A	12MM ROUND BAR	11
B	40x8MM FLAT BAR 2.75M LONG	2
C	50X50X2.5 RHS BOX	1

1.2M HIGH STANDARD BOWTOP, 12MM ROUND BAR AA Fencing UK Ltd.The Wireworks Evans Road,Speke Liverpool L24 9PB 0151 363 1234 info@aa fencing.co.uk	SIZE:	RVE:	DRAWN:	DATE:	SCALE: 1:10	NOTE: SHOULD ANY DISCREPANCIES BE FOUND WITH THIS DRAWING,PLEASE INFORM AA FENCING. COPYRIGHT OF THIS DRAWING IS OWNED BY AA FENCING UK LIMITED
	A4	1.0	CO	12/05/2026		
WEIGHT:PANEL 44.93kg				SHEET 2 OF 2		



ITEM	PARTS NAME	QUANTITY
A	12MM ROUND BAR	11
B	40x8MM FLAT BAR 2.75M LONG	2
C	50X50X2.5 RHS BOX	1

1.2M HIGH STANDARD BOWTOP, 12MM ROUND BAR AA Fencing UK Ltd.The Wireworks Evans Road,Speke Liverpool L24 9PB 0151 363 1234 info@aafencing.co.uk	SIZE:	RVE:	DRAWN:	DATE:	SCALE: 1:10
	A4	1.0	CO	12/05/2026	
WEIGHT:PANEL 44.93kg				SHEET 2 OF 2	

NOTE: SHOULD ANY DISCREPANCIES BE FOUND WITH THIS DRAWING,PLEASE INFORM AA FENCING. COPYRIGHT OF THIS DRAWING IS OWNED BY AA FENCING UK LIMITED